

- 1
- 2
- 3
- 4
- 5
- 6
- 7
- 8
- 9
- 10
- 11
- 12
- 13
- 14
- 15

BASE

Glass-fibre reinforced polyamide based (PA) technopolymer, black colour, matte finish.

ARTICULATED STEM

Threaded zinc-plated steel with regulation hexagon.

STANDARD EXECUTIONS

- **LV.A:** without no-slip disk.
- **LV.A-AS:** with NBR rubber no-slip disk, hardness 70 Shore A, supplied assembled to the base.

FEATURES

The special knurling under the lower lip of the base provides excellent stability and grip when using the levelling element without no-slip disk even on surfaces that are not perfectly flat.

The particular assembling system of the no-slip disk to the base assures a perfect anchoring, preventing separation even in case of impact during transport or of adhesion (sticking) to the floor (see No-slip disks on page 979).

ORDER INFORMATION

The levelling elements are supplied unassembled to make carriage and storage easier. The components (base and stem) are supplied in separate packing: less volume taken and better protection from scratches and dirt.

To order bases and stems separately, see:

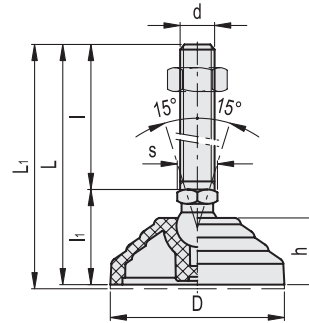
- table of possible combinations Bases/Stems (see page 983)
- the codes of the Bases (see page 980)
- the codes of the Stems (see page 985).

ACCESSORIES ON REQUEST

Zinc-plated steel nut (see Nuts NT. on page 979).



ELESA Original design



LV.A		LV.A-AS		D	d2A	L	l	li	h	s	Articulation Ø	Max. limit static load* [lbf]	⚖	⚖ #
90303221	LV.A-60-14-3/8-16x2	90307221	LV.A-60-14-AS-3/8-16x2	2.36	3/8-16	3.3	2.000	1.3	0.94	9/16	0.55	3136	0.15	0.2
90303231	LV.A-60-14-3/8-16x4	90307231	LV.A-60-14-AS-3/8-16x4	2.36	3/8-16	5.3	4.000	1.3	0.94	9/16	0.55	3136	0.2	0.24
90303235	LV.A-60-14-3/8-16x6	90307235	LV.A-60-14-AS-3/8-16x6	2.36	3/8-16	7.3	6.000	1.3	0.94	9/16	0.55	3136	0.24	0.29
90303321	LV.A-60-14-1/2-13x2	90307321	LV.A-60-14-AS-1/2-13x2	2.36	1/2-13	3.3	2.000	1.3	0.94	9/16	0.55	3136	0.18	0.22
90303331	LV.A-60-14-1/2-13x4	90307331	LV.A-60-14-AS-1/2-13x4	2.36	1/2-13	5.3	4.000	1.3	0.94	9/16	0.55	3136	0.22	0.27
90303335	LV.A-60-14-1/2-13x6	90307335	LV.A-60-14-AS-1/2-13x6	2.36	1/2-13	7.3	6.000	1.3	0.94	9/16	0.55	3136	0.26	0.31
90303523	LV.A-60-14-5/8-11x4	90307523	LV.A-60-14-AS-5/8-11x4	2.36	5/8-11	5.3	4.000	1.3	0.94	5/8	0.55	3136	0.24	0.29
90303541	LV.A-60-14-5/8-11x6	90307541	LV.A-60-14-AS-5/8-11x6	2.36	5/8-11	7.3	6.000	1.3	0.94	5/8	0.55	3136	0.29	0.33
90303565	LV.A-60-14-5/8-11x8	90307565	LV.A-60-14-AS-5/8-11x8	2.36	5/8-11	9.3	8.000	1.3	0.94	5/8	0.55	3136	0.33	0.37
90303625	LV.A-60-24-5/8-11x4	90307625	LV.A-60-24-AS-5/8-11x4	2.36	5/8-11	5.69	4.000	1.69	0.94	15/16	0.94	4032	0.48	0.54
90303645	LV.A-60-24-5/8-11x6	90307645	LV.A-60-24-AS-5/8-11x6	2.36	5/8-11	7.69	6.000	1.69	0.94	15/16	0.94	4032	0.51	0.57
90303665	LV.A-60-24-5/8-11x8	90307665	LV.A-60-24-AS-5/8-11x8	2.36	5/8-11	9.69	8.000	1.69	0.94	15/16	0.94	4032	0.54	0.6
90303725	LV.A-60-24-3/4-10x4	90307725	LV.A-60-24-AS-3/4-10x4	2.36	3/4-10	5.69	4.000	1.69	0.94	15/16	0.94	4032	0.58	0.63
90303745	LV.A-60-24-3/4-10x6	90307745	LV.A-60-24-AS-3/4-10x6	2.36	3/4-10	7.69	6.000	1.69	0.94	15/16	0.94	4032	0.61	0.67
90303781	LV.A-60-24-3/4-10x8	90307781	LV.A-60-24-AS-3/4-10x8	2.36	3/4-10	9.69	8.000	1.69	0.94	15/16	0.94	4032	0.64	0.7

* The max static load is the value above which the load applied to the element may cause some plastic material breakage, in particular conditions of use. Obviously, a factor that takes into consideration the importance and the safety level of the specific application must be applied to this value.

INCH

LV.A		LV.A-AS		D	d2A	L	l	l1	h	s	Articulation ∅	Max. limit static load* [lb]	⚖	⚖ #
90304021	LV.A-70-14-3/8-16x2	90308021	LV.A-70-14-AS-3/8-16x2	2.76	3/8-16	3.1	2.000	1.1	0.75	9/16	0.55	3136	0.15	0.2
90304031	LV.A-70-14-3/8-16x4	90308031	LV.A-70-14-AS-3/8-16x4	2.76	3/8-16	5.11	4.000	1.1	0.75	9/16	0.55	3136	0.18	0.22
90304035	LV.A-70-14-3/8-16x6	90308035	LV.A-70-14-AS-3/8-16x6	2.76	3/8-16	7.1	6.000	1.1	0.75	9/16	0.55	3136	0.2	0.24
90304061	LV.A-70-14-1/2-13x2	90308061	LV.A-70-14-AS-1/2-13x2	2.76	1/2-13	3.1	2.000	1.1	0.75	9/16	0.55	3136	0.17	0.21
90304071	LV.A-70-14-1/2-13x4	90308071	LV.A-70-14-AS-1/2-13x4	2.76	1/2-13	5.1	4.000	1.1	0.75	9/16	0.55	3136	0.19	0.23
90304081	LV.A-70-14-1/2-13x6	90308081	LV.A-70-14-AS-1/2-13x6	2.76	1/2-13	7.1	6.000	1.1	0.75	9/16	0.55	3136	0.21	0.25
90304111	LV.A-70-14-5/8-11x4	90308111	LV.A-70-14-AS-5/8-11x4	2.76	5/8-11	5.1	4.000	1.1	0.75	5/8	0.55	3136	0.2	0.24
90304123	LV.A-70-14-5/8-11x6	90308123	LV.A-70-14-AS-5/8-11x6	2.76	5/8-11	7.1	6.000	1.1	0.75	5/8	0.55	3136	0.22	0.26
90304165	LV.A-70-14-5/8-11x8	90308165	LV.A-70-14-AS-5/8-11x8	2.76	5/8-11	9.1	8.000	1.1	0.75	5/8	0.55	3136	0.26	0.31
90304221	LV.A-80-14-3/8-16x2	90308221	LV.A-80-14-AS-3/8-16x2	3.15	3/8-16	3.3	2.000	1.3	0.94	9/16	0.55	3584	0.2	0.26
90304231	LV.A-80-14-3/8-16x4	90308231	LV.A-80-14-AS-3/8-16x4	3.15	3/8-16	5.3	4.000	1.3	0.94	9/16	0.55	3584	0.24	0.3
90304235	LV.A-80-14-3/8-16x6	90308235	LV.A-80-14-AS-3/8-16x6	3.15	3/8-16	7.3	6.000	1.3	0.94	9/16	0.55	3584	0.27	0.33
90304321	LV.A-80-14-1/2-13x2	90308321	LV.A-80-14-AS-1/2-13x2	3.15	1/2-13	3.3	2.000	1.3	0.94	9/16	0.55	3584	0.22	0.28
90304331	LV.A-80-14-1/2-13x4	90308331	LV.A-80-14-AS-1/2-13x4	3.15	1/2-13	5.3	4.000	1.3	0.94	9/16	0.55	3584	0.25	0.31
90304335	LV.A-80-14-1/2-13x6	90308335	LV.A-80-14-AS-1/2-13x6	3.15	1/2-13	7.3	6.000	1.3	0.94	9/16	0.55	3584	0.29	0.34
90304523	LV.A-80-14-5/8-11x4	90308523	LV.A-80-14-AS-5/8-11x4	3.15	5/8-11	5.3	4.000	1.3	0.94	5/8	0.55	3584	0.28	0.34
90304541	LV.A-80-14-5/8-11x6	90308541	LV.A-80-14-AS-5/8-11x6	3.15	5/8-11	7.3	6.000	1.3	0.94	5/8	0.55	3584	0.32	0.37
90304565	LV.A-80-14-5/8-11x8	90308565	LV.A-80-14-AS-5/8-11x8	3.15	5/8-11	9.3	8.000	1.3	0.94	5/8	0.55	3584	0.34	0.4
90304625	LV.A-80-24-5/8-11x4	90308625	LV.A-80-24-AS-5/8-11x4	3.15	5/8-11	5.69	4.000	1.69	0.94	15/16	0.94	4032	0.31	0.37
90304645	LV.A-80-24-5/8-11x6	90308645	LV.A-80-24-AS-5/8-11x6	3.15	5/8-11	7.69	6.000	1.69	0.94	15/16	0.94	4032	0.34	0.4
90304665	LV.A-80-24-5/8-11x8	90308665	LV.A-80-24-AS-5/8-11x8	3.15	5/8-11	9.69	8.000	1.69	0.94	15/16	0.94	4032	0.37	0.43
90304725	LV.A-80-24-3/4-10x4	90308725	LV.A-80-24-AS-3/4-10x4	3.15	3/4-10	5.69	4.000	1.69	0.94	15/16	0.94	4032	0.38	0.43
90304745	LV.A-80-24-3/4-10x6	90308745	LV.A-80-24-AS-3/4-10x6	3.15	3/4-10	7.69	6.000	1.69	0.94	15/16	0.94	4032	0.41	0.46
90304781	LV.A-80-24-3/4-10x8	90308781	LV.A-80-24-AS-3/4-10x8	3.15	3/4-10	9.69	8.000	1.69	0.94	15/16	0.94	4032	0.44	0.5
90305403	LV.A-100-14-3/8-16x2	90309403	LV.A-100-14-AS-3/8-16x2	3.94	3/8-16	3.3	2.000	1.3	0.94	9/16	0.94	4032	0.22	0.34
90305405	LV.A-100-14-3/8-16x4	90309405	LV.A-100-14-AS-3/8-16x4	3.94	3/8-16	5.3	4.000	1.3	0.94	9/16	0.94	4032	0.25	0.37
90305407	LV.A-100-14-3/8-16x6	90309407	LV.A-100-14-AS-3/8-16x6	3.94	3/8-16	7.3	6.000	1.3	0.94	9/16	0.94	4032	0.3	0.42
90305413	LV.A-100-14-1/2-13x2	90309413	LV.A-100-14-AS-1/2-13x2	3.94	1/2-13	3.3	2.000	1.3	0.94	9/16	0.94	4032	0.24	0.36
90305415	LV.A-100-14-1/2-13x4	90309415	LV.A-100-14-AS-1/2-13x4	3.94	1/2-13	5.3	4.000	1.3	0.94	9/16	0.94	4032	0.33	0.45
90305417	LV.A-100-14-1/2-13x6	90309417	LV.A-100-14-AS-1/2-13x6	3.94	1/2-13	7.3	6.000	1.3	0.94	9/16	0.94	4032	0.38	0.5
90305425	LV.A-100-14-5/8-11x4	90309423	LV.A-100-14-AS-5/8-11x4	3.94	5/8-11	5.3	4.000	1.3	0.94	9/16	0.94	4032	0.49	0.61
90305445	LV.A-100-14-5/8-11x6	90309425	LV.A-100-14-AS-5/8-11x6	3.94	5/8-11	7.3	6.000	1.3	0.94	9/16	0.94	4032	0.61	0.66
90305465	LV.A-100-14-5/8-11x8	90309427	LV.A-100-14-AS-5/8-11x8	3.94	5/8-11	9.3	8.000	1.3	0.94	9/16	0.94	4032	0.75	0.85
90305525	LV.A-100-24-5/8-11x4	90309525	LV.A-100-24-AS-5/8-11x4	3.94	5/8-11	5.69	4.000	1.69	0.94	15/16	0.94	5600	0.61	0.73
90305545	LV.A-100-24-5/8-11x6	90309545	LV.A-100-24-AS-5/8-11x6	3.94	5/8-11	7.69	6.000	1.69	0.94	15/16	0.94	5600	0.63	0.75
90305565	LV.A-100-24-5/8-11x8	90309565	LV.A-100-24-AS-5/8-11x8	3.94	5/8-11	9.69	8.000	1.69	0.94	15/16	0.94	5600	0.67	0.79
90305625	LV.A-100-24-3/4-10x4	90309625	LV.A-100-24-AS-3/4-10x4	3.94	3/4-10	5.69	4.000	1.69	-	15/16	0.94	5600	0.66	0.78
90305645	LV.A-100-24-3/4-10x6	90309645	LV.A-100-24-AS-3/4-10x6	3.94	3/4-10	7.69	6.000	1.69	0.94	15/16	0.94	5600	0.68	0.8
90305681	LV.A-100-24-3/4-10x8	90309681	LV.A-100-24-AS-3/4-10x8	3.94	3/4-10	9.69	8.000	1.69	0.94	15/16	0.94	5600	0.71	0.83
90306525	LV.A-125-24-5/8-11x4	90310225	LV.A-125-24-AS-5/8-11x4	4.92	5/8-11	6.64	4.000	2.64	1.81	15/16	0.94	6272	0.9	1.18
90306545	LV.A-125-24-5/8-11x6	90310245	LV.A-125-24-AS-5/8-11x6	4.92	5/8-11	8.64	6.000	2.64	1.81	15/16	0.94	6272	0.93	1.2
90306565	LV.A-125-24-5/8-11x8	90310265	LV.A-125-24-AS-5/8-11x8	4.92	5/8-11	10.64	8.000	2.64	1.81	15/16	0.94	6272	0.95	1.23
90306625	LV.A-125-24-3/4-10x4	90310325	LV.A-125-24-AS-3/4-10x4	4.92	3/4-10	6.64	4.000	2.64	1.81	15/16	0.94	6272	0.98	1.25
90306645	LV.A-125-24-3/4-10x6	90310345	LV.A-125-24-AS-3/4-10x6	4.92	3/4-10	8.64	6.000	2.64	1.81	15/16	0.94	6272	1.01	1.29
90306681	LV.A-125-24-3/4-10x8	90310381	LV.A-125-24-AS-3/4-10x8	4.92	3/4-10	10.64	8.000	2.64	1.81	15/16	0.94	6272	1.04	1.32

* The max static load is the value above which the load applied to the element may cause some plastic material breakage, in particular conditions of use. Obviously, a factor that takes into consideration the importance and the safety level of the specific application must be applied to this value.

